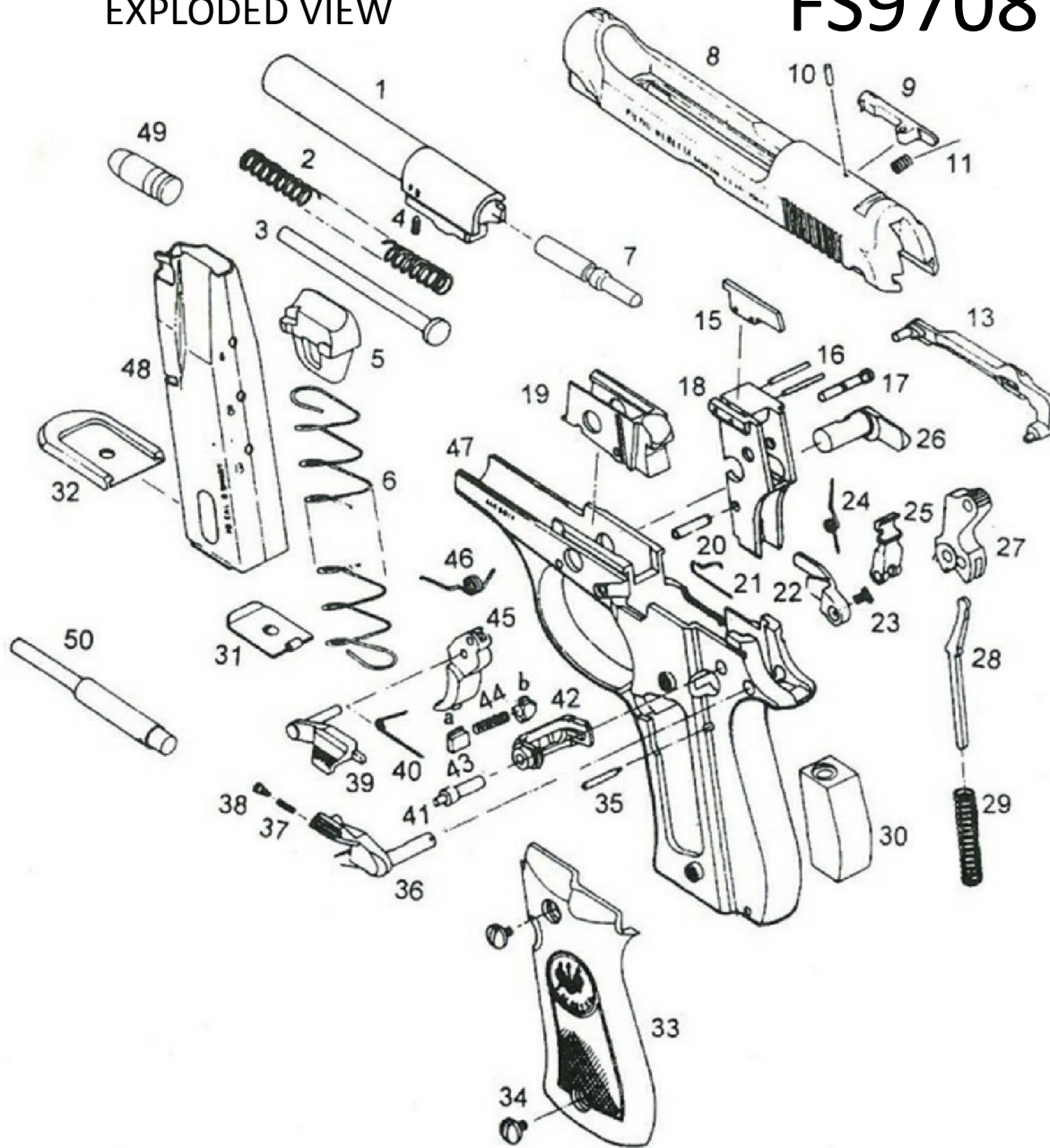


# EXPLODED VIEW

# FS9708



## Parts

1.	Barrel (Aluminum)	26.	Barrel Locking Axis
1.	Barrel (Plastic)	27.	Hammer
2.	Recoil Spring	28.	Hammer Bar
3.	Recoil Locking Axis	29.	Hammer Spring
4.	Hex Head Locking Bolt	30.	Hammer Base
5.	Mag Follower	31.	Magazine Bottom
6.	Magazine Spring	32.	Magazine Bottom
7.	Barrel Inner Plug	33.	Grip Block Plate
8.	Slide (Aluminum)	34.	Grip Screw
8.		35.	Hammer Catch Pin
9.	Recoil Extractor	36.	Left Safety
10.	Pin	37.	Left Safety Spring
11.	Spring	38.	Left Safety Screw
13.	Recoil Extractor	39.	Slide Catch
15.	Unload Barricade	40.	Slide Catch Twist Spring
16.	Barricade Pin	41.	Hammer Locking Axis
17.	Trigger Locking Pin	42.	Magazine Catch
18.	Action Housing	43.	Magazine Catch Moving Plate
19.	Barrel Housing	44.	Magazine Catch Spring
20.	Action Housing Locking Pin	45.	Trigger
21.	Action Housing Twist Spring	46.	Trigger Twist Spring
22.	Right Safety	47.	Frame (Aluminum)
23.	Right Safety Screw	48.	Magazine
24.	Hammer Catch Twist Spring	49.	Shell
25.	Hammer Catch	50.	Filler Rod

