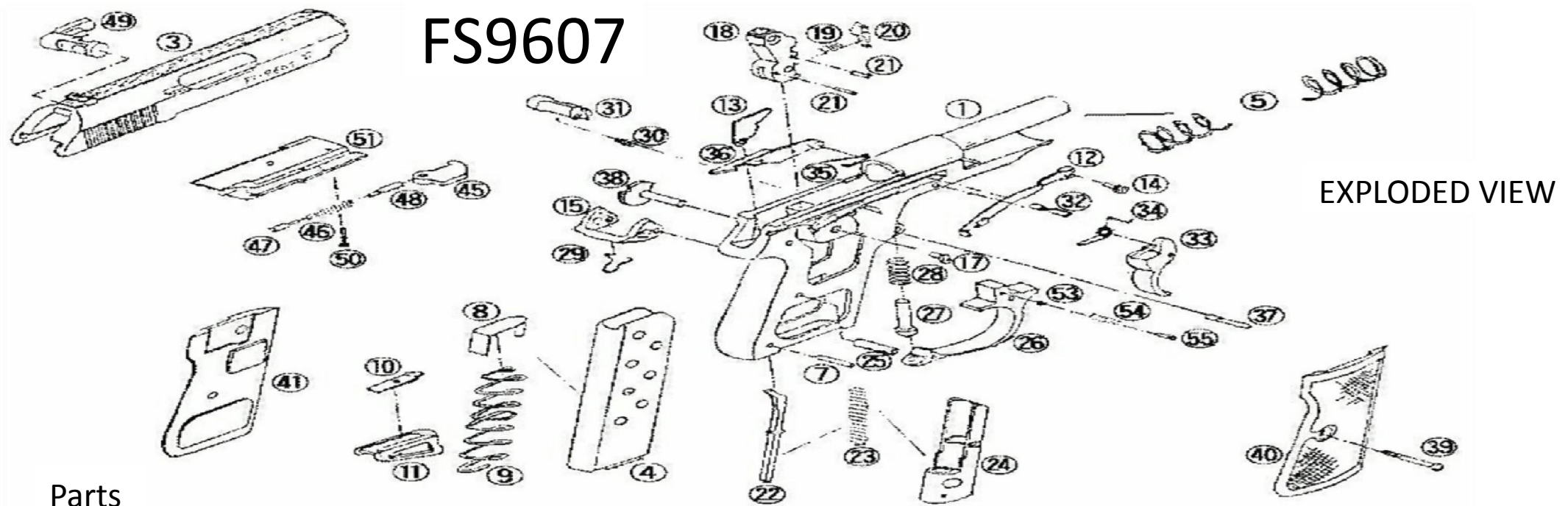


FS9607



EXPLODED VIEW

Parts

1.	Frame	19.	Hammer Spring	36.	Locking Plate
2.		20.	Hammer Inner Catch	37.	Guard Locking Axis
3.	Slide	21.	Hammer Locking Axis	38.	Hammer Locking Axis
4.	Magazine	22.	Hammer Bar	39.	Grip Screw
5.	Barrel Spring	22.	Bar Housing Locking Axis	40.	Right Grip
6.		23.	Bar Spring	41.	Left Grip
7.	Locking Axis	24.	Bar Housing	45.	Extractor
8.	Magazine Cap	25.	Hollow Bar Locking Axis	46.	Large Extractor Inner Axis
9.	Magazine Spring	26.	Trigger Guard	47.	Extractor Spring
10.	Locking Piece	27.	Guard Bar	48.	Small Extractor Inner Axis
11.	Locking Housing	28.	Guard Bar Spring	49.	Safety
12.	Recoil Extractor	29.	Plate Twist Spring	50.	Extractor Screw
13.	Locking Plate	30.	Magazine Catch Spring	51.	Firing Pin Housing
14.	Extractor Screw	31.	Magazine Catch	53.	Locking Steel Ball
15.	Plate	32.	Trigger Locking Axis	54.	Locking Spring
16.		33.	Trigger	55.	Locking Pin
17.	Plate Screw	34.	Trigger Twist Spring		
18.	Hammer	35.	Locking Plate Twist Spring		

