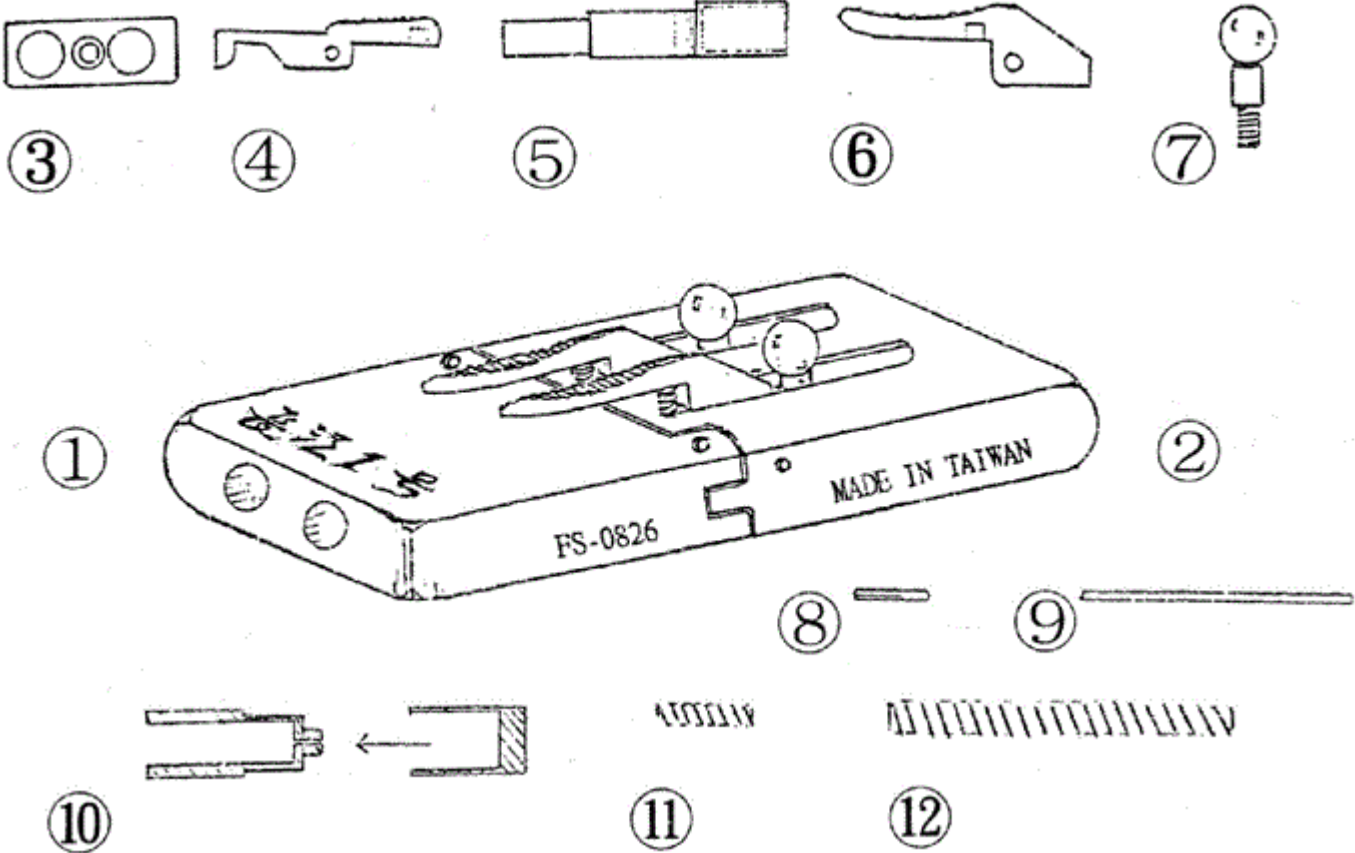


FS0826

Parts

EXPLODED VIEW



1.	Front Frame
2.	Back Frame
3.	Inner Clip
4.	Locking Clip
5.	Hammer
6.	Trigger
7.	Hammer Handle
8.	Short Pin
9.	Long Pin
10.	Shell
11.	Small Spring
12.	Large Spring
13.	Locking Spring

