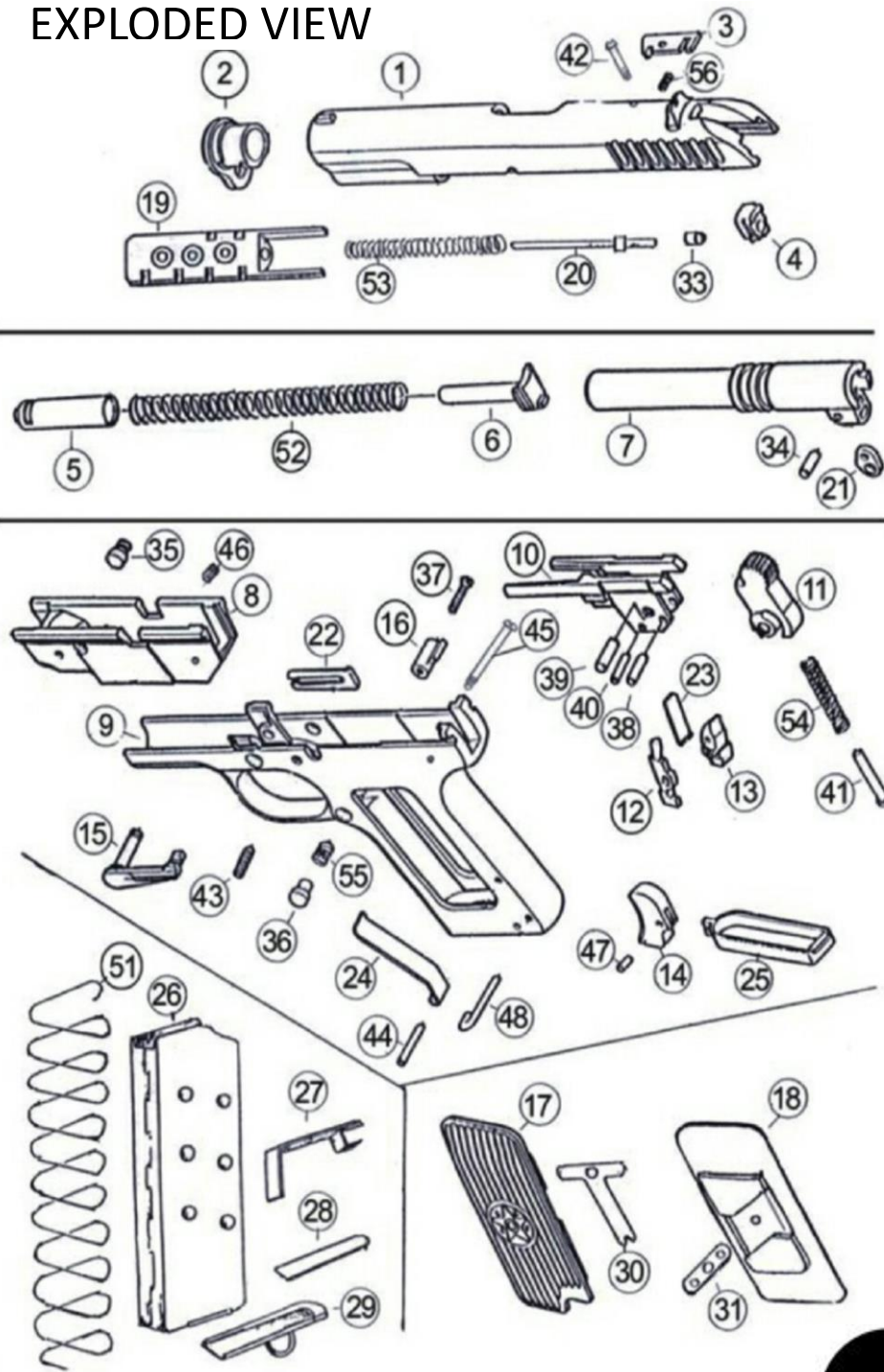


EXPLODED VIEW

FS-0316

Parts



Slide

Barrel

Frame

Magazine
Grip

1.	Slide	29.	Magazine Bottom
2.	Slide Lip	30.	Left Grip Locking Piece
3.	extractor	31.	Right Grip Locking Piece
4.	Firing Pin Housing Back Cover	32.	
5.	Recoil Spring front jacket	33.	Firing Pin Cover Ring
6.	Recoil Spring Axis	34.	Barrel Locking Pin
7.	Barrel	35.	Locking Axis
8.	Action Housing	36.	Magazine Catch
9.	Frame	37.	Catch Screw
10.	Action Secondary Housing	38.	Action Housing Pin A
11.	hammer	39.	Action Housing Pin B
12.	Hammer plate a	40.	Action Housing Pin C
13.	Hammer plate b	41.	Firing Pin Axis
14.	Trigger	42.	Firing Pin Housing Screw
15.	Slide Locking Axis	43.	Locking Axis Screw
16.	Magazine Catch	44.	Trigger Spring Piece Screw
17.	Left Grip	45.	Action Locking Screw
18.	Right Grip	46.	
19.	Firing Pin Pin	47.	Trigger Locking Pin
20.	Firing Pin	48.	Strap Locking Ring
21.	Barrel Head Ring	49.	
22.	Slide Locking Spring Piece	50.	
23.	Hammer catch spring B	51.	Magazine Spring
24.	Trigger spring piece	52.	Recoil Spring
25.	Trigger bar	53.	Firing Pin Spring
26.	Magazine	54.	Hammer spring
27.	Mag Follower	55.	Button Spring
28.	Magazine Base	56.	Extractor spring

