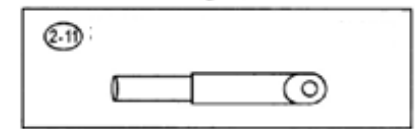
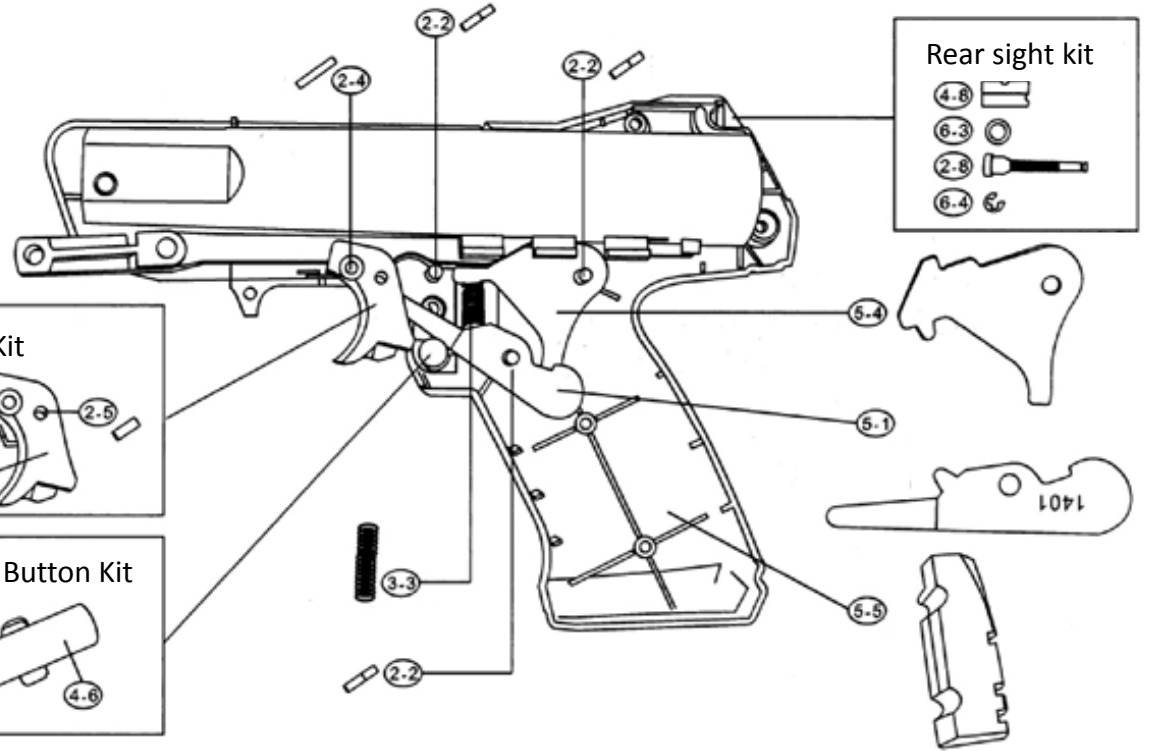
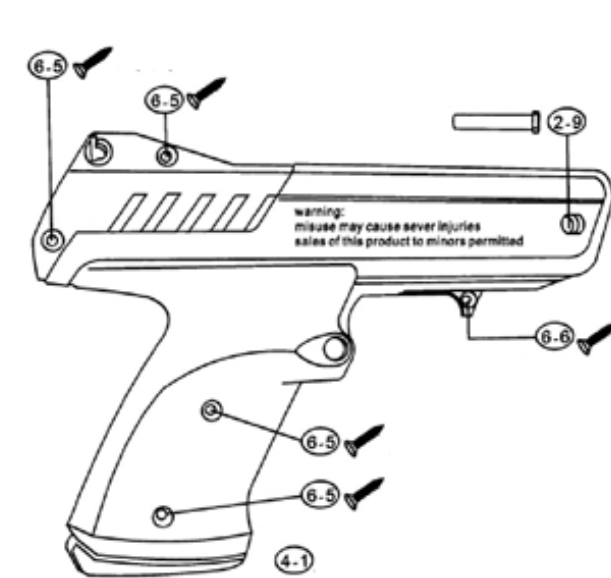
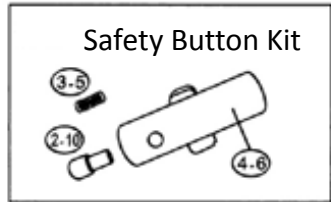
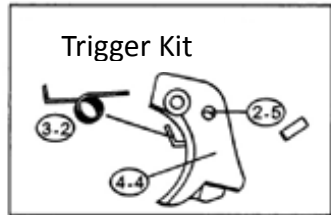
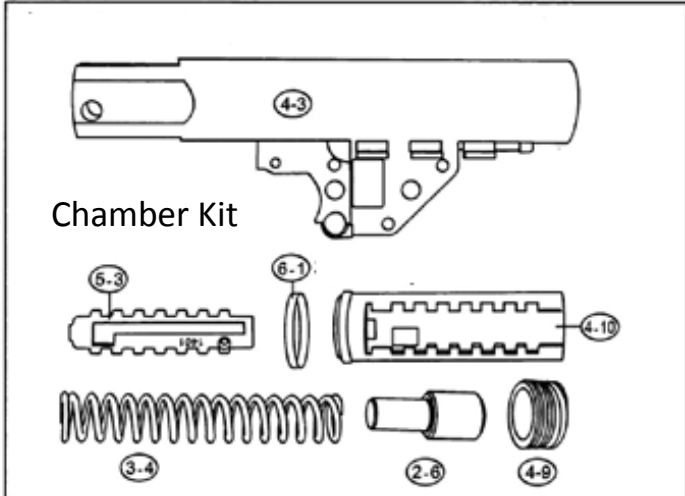
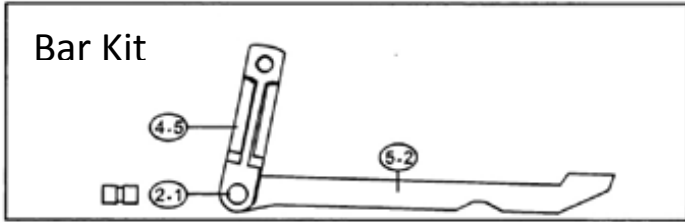
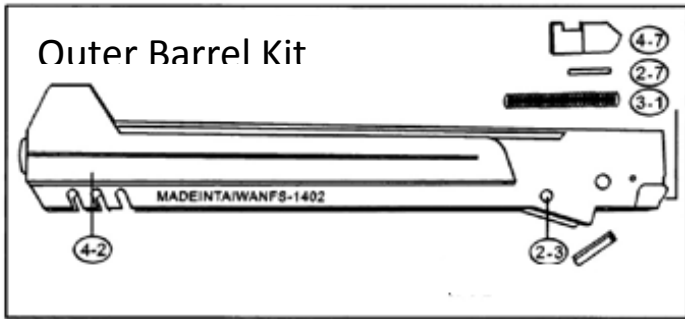


FS1402

EXPLODED VIEW



Parts

2-1	Bar Pin	4-3	Chamber Housing
2-2	Moving Plate Pin	4-4	Trigger
2-3	Outer Barrel Hollow Pin	4-5	Moving Axis
2-4	Trigger Pin	4-6	Safety Button
2-5	Trigger Bar	4-7	Locking Button
2-6	Back Spring Cover	4-8	Rear Sight
2-7	Locking Button Pin	4-9	Chamber Back Cover
2-8	Rear Sight Screw	4-10	Moving Plug
2-9	Barrel Locking Axis	4-11	.177 Rubber Sleeve
2-10	Safety Button Locking Pin	4-12	.23 Rubber Sleeve
2-11	Barrel Replacer	4-13	.177 & .21 Rifling Tube Rubber Sleeve
2-12	.177 Bbs Barrel	5-1	Moving Plate B
2-13	.23 Bbs Barrel	5-2	Bar
2-14	4.5mm Rifling Tube Kit	5-3	Iron Moving Plug
2-15	5.5mm Rifling Tube Kit	5-4	Moving Plate A
3-1	Locking Button Spring	5-5	Heavy Metal Part
3-2	Trigger Twist Spring	6-1	Piston Ring
3-3	Moving Plate Spring	6-2	Barrel Locking Axis Screw
3-4	Chamber Spring	6-3	Gasket
3-5	Safety Button Spring	6-4	Rear Sight Gasket
4-1	Frame	6-5	Frame Screw
4-2	Outer Barrel	6-6	Guard Screw

