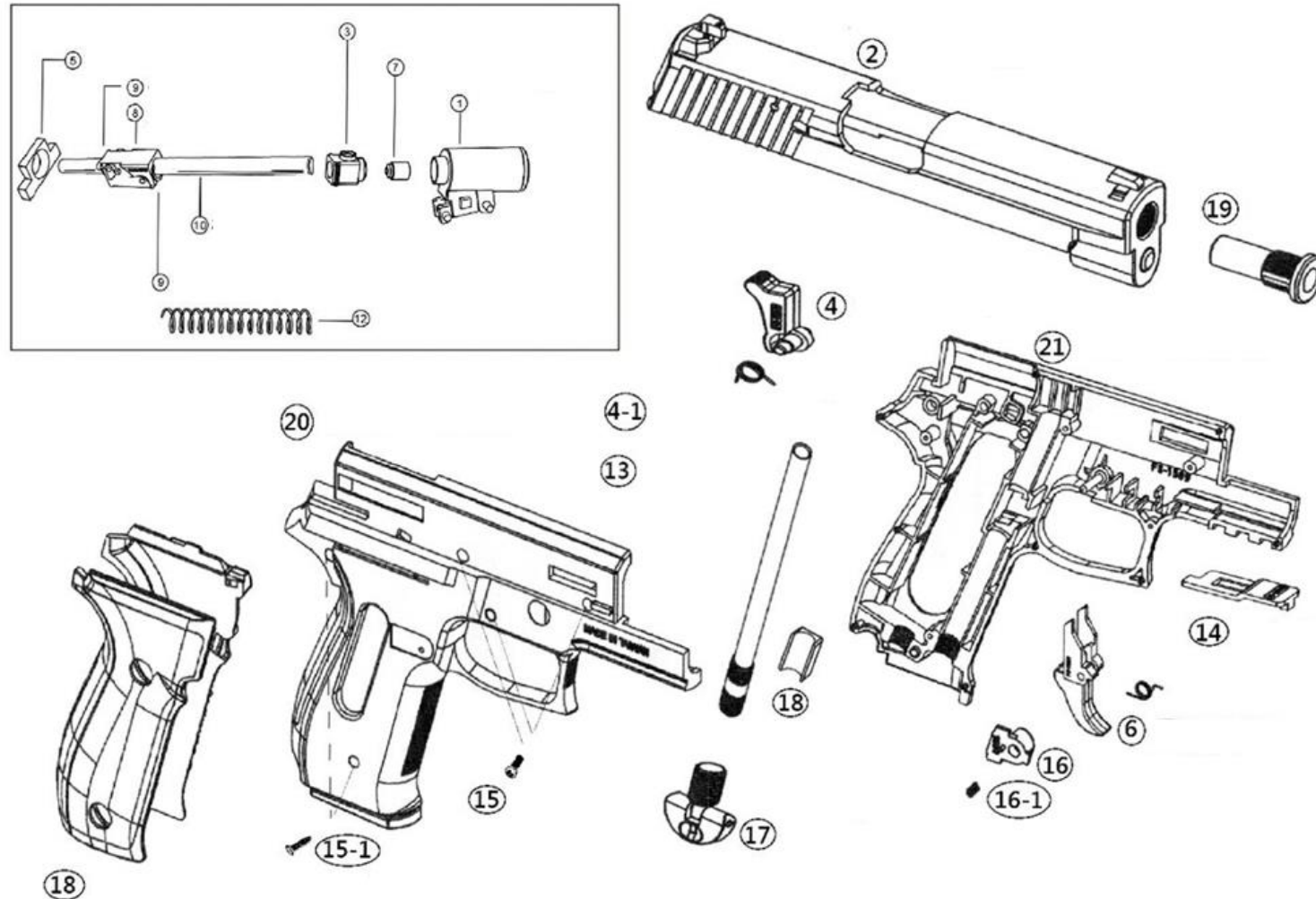


FS1509

EXPLODED VIEW



Parts

1.	Chamber
2.	Slide
3.	Projectile Chamber
4.	Hammer
4-1.	Hammer Twist Spring
5.	Barricade
6.	Trigger & Twist Spring
7.	Outlet Hammer
8.	Slid Axle
9.	C Buckle
10.	Barrel Kit
12.	Spring
13.	Tubular Magazine
14.	Safety Switch
15.	Round Head Bolt
15-1.	Flat Head Cap Screws
16.	Grip Latch
16-1.	Latch Spring
17.	Cylinder Screw Kit
18.	Grip
19.	Barrel Cap
20.	Right Frame
21.	Left Frame

