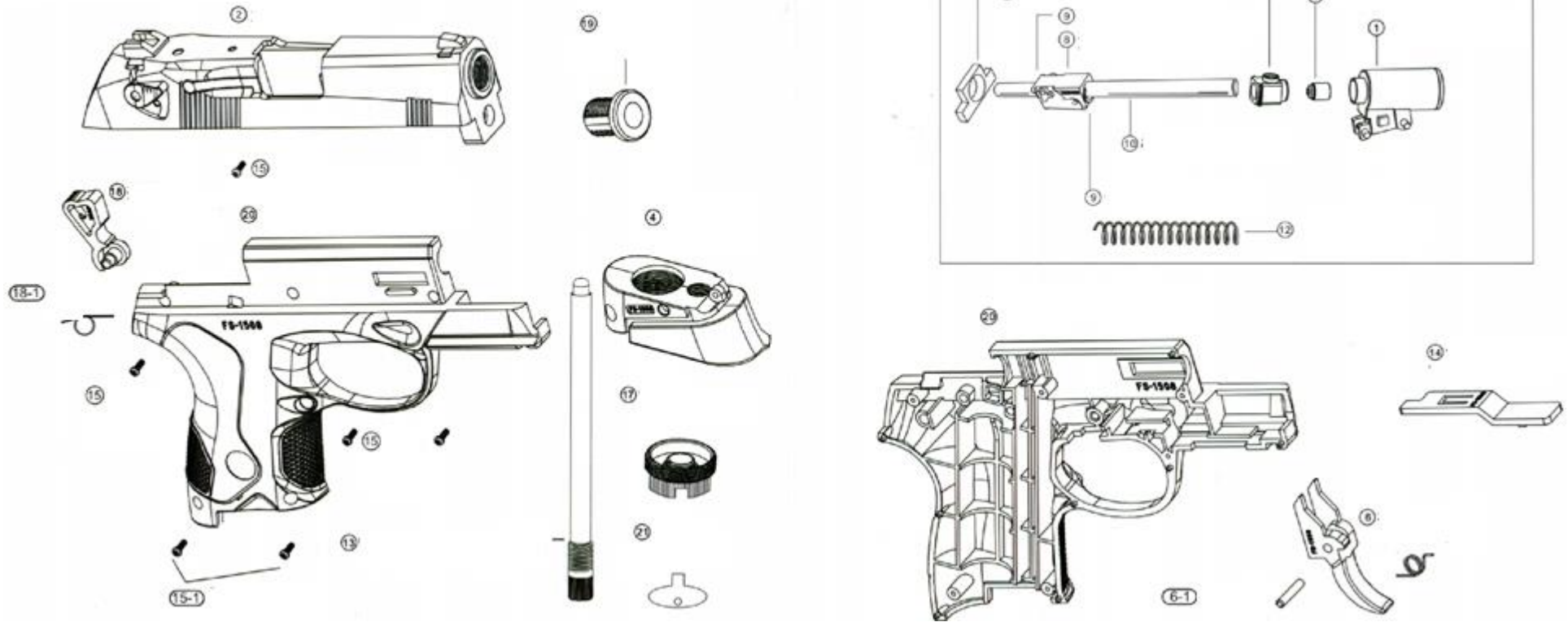


FS1508

EXPLODED VIEW



1.	Chamber	8.	Slid Axle	17.	13mm Cylinder Cover
2.	Slide	9.	C Buckle	18.	Hammer
3.	Projectile Chamber	10.	Barrel Kit	18-1	Hammer Spring
4.	Bottom	12.	Spring	19.	Barrel Cap
5.	Barricade	13.	Tubular Magazine	20.	Frame
6.	Trigger & Twist Spring	14.	Safety Switch Kit	21.	Wrench
6-1.	Trigger Pin	15.	Screw		
7.	Outlet Hammer	15-1.	Screw		

