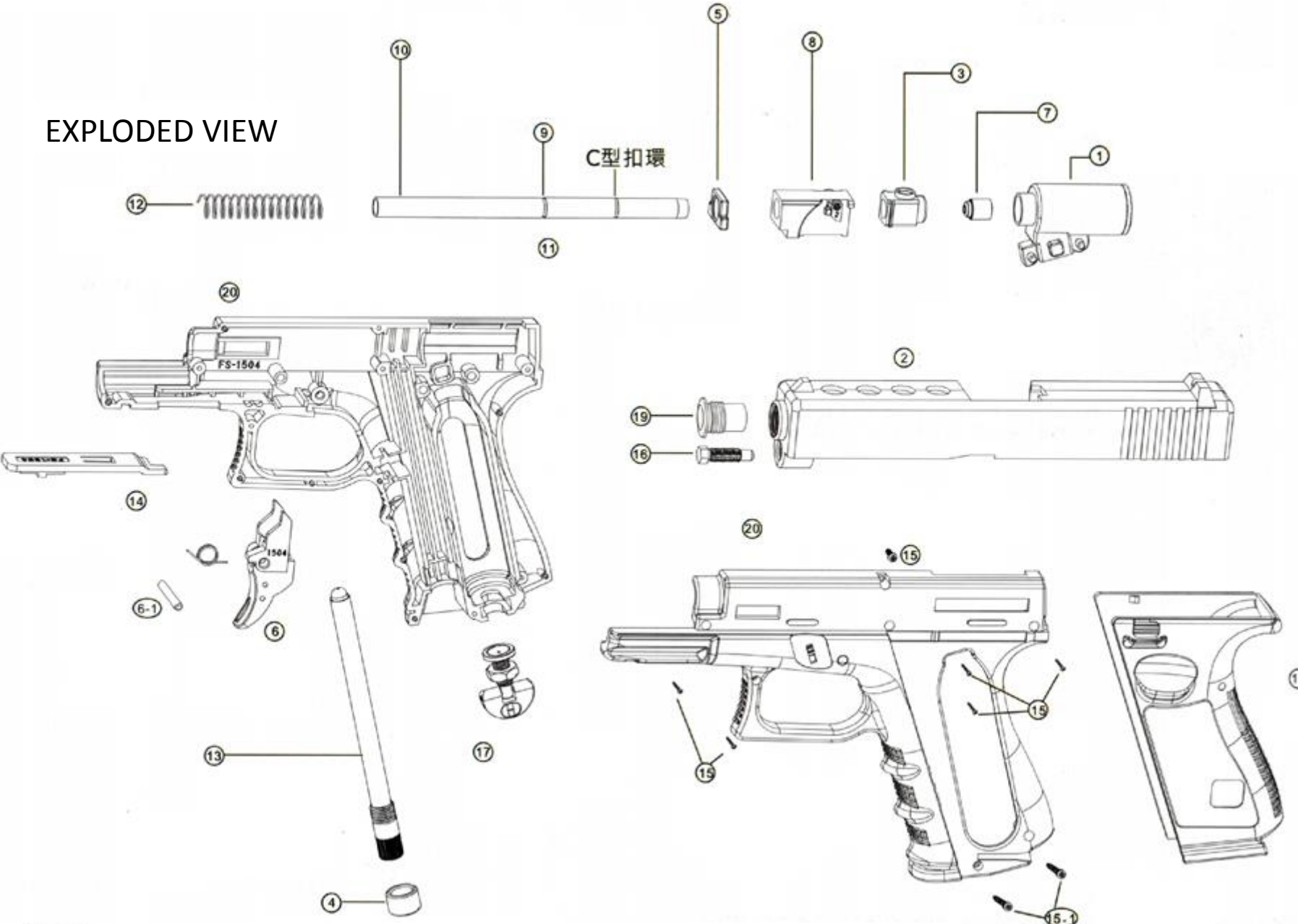


# FS1504

EXPLODED VIEW



## Parts

1.	Chamber
2.	Slide
3.	Pellet Holder
4.	Tubular Magazine Base
5.	Barricade
6.	Trigger & Twist Spring
6-1.	Trigger Pin
7.	Outlet Hammer
8.	Slid Axle
9.	C-Clip
10.	Barrel & C-Clip
11.	Barrel & Slid Axle
12.	Spring
13.	Tubular Magazine
14.	Safety Switch Kit
15.	Locking Screw
15-1.	Locking Screw
16.	Slide Screw
17.	Puncture Lever
18.	Grip
19.	Barrel Cap
20.	Frame

