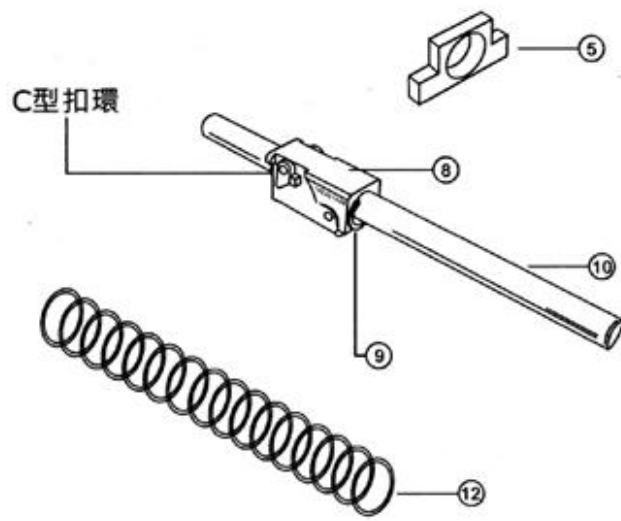
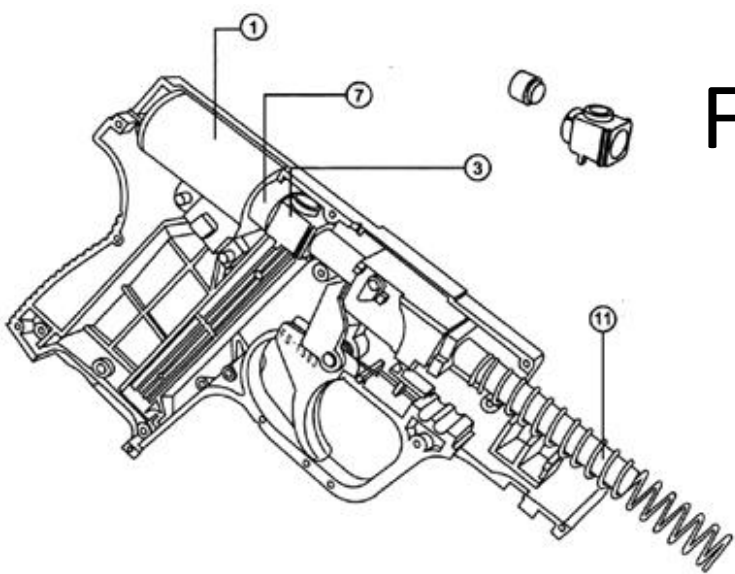
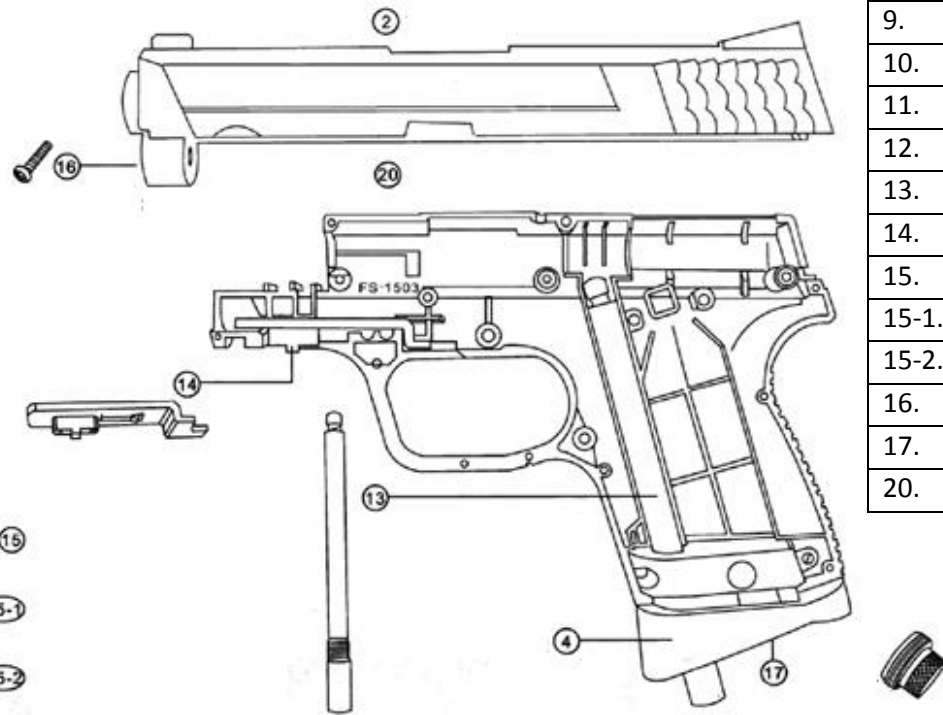
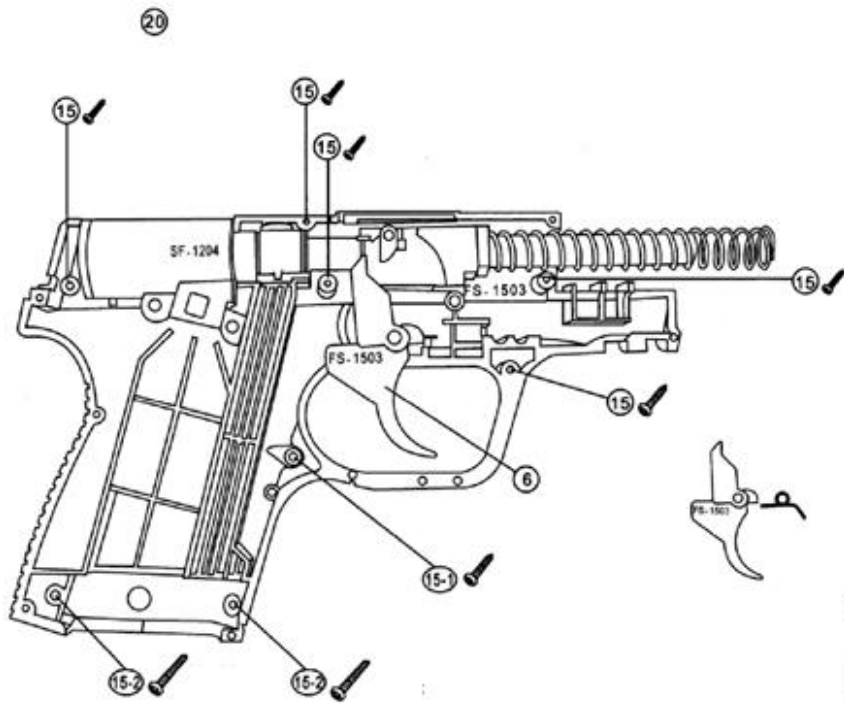


FS1503



EXPLODED VIEW



Parts

1.	Chamber
2.	Slide
3.	Pellet Holder
4.	Base
5.	Barricade
6.	Trigger & Twist Spring
7.	Outlet Hammer
8.	Slid Axle
9.	C-Clip
10.	Barrel & C-Clip
11.	Slid Axle & Barrel
12.	Spring
13.	Tubular Magazine
14.	Safety Switch Kit
15.	Screw
15-1.	Screw
15-2.	Screw
16.	Slide Screw
17.	Cylinder Lock
20.	Frame

