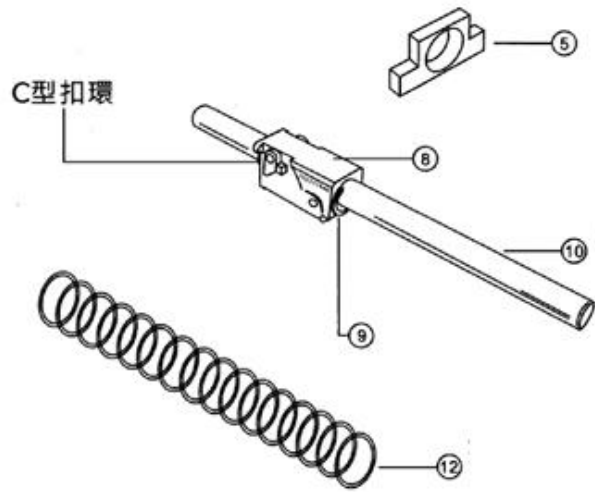
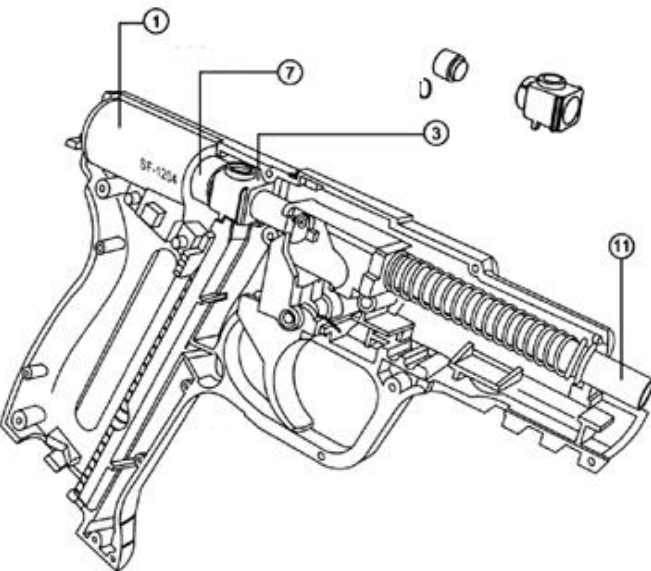
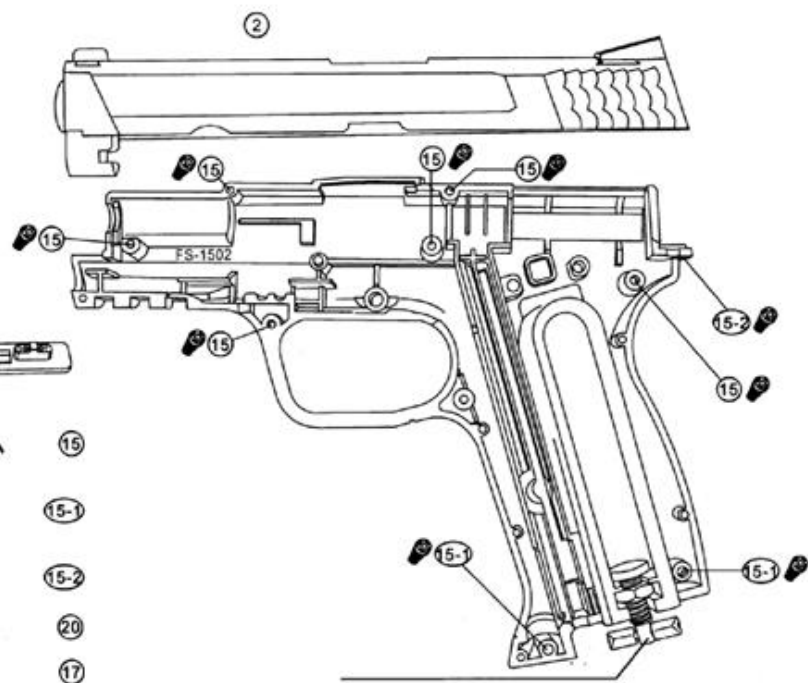
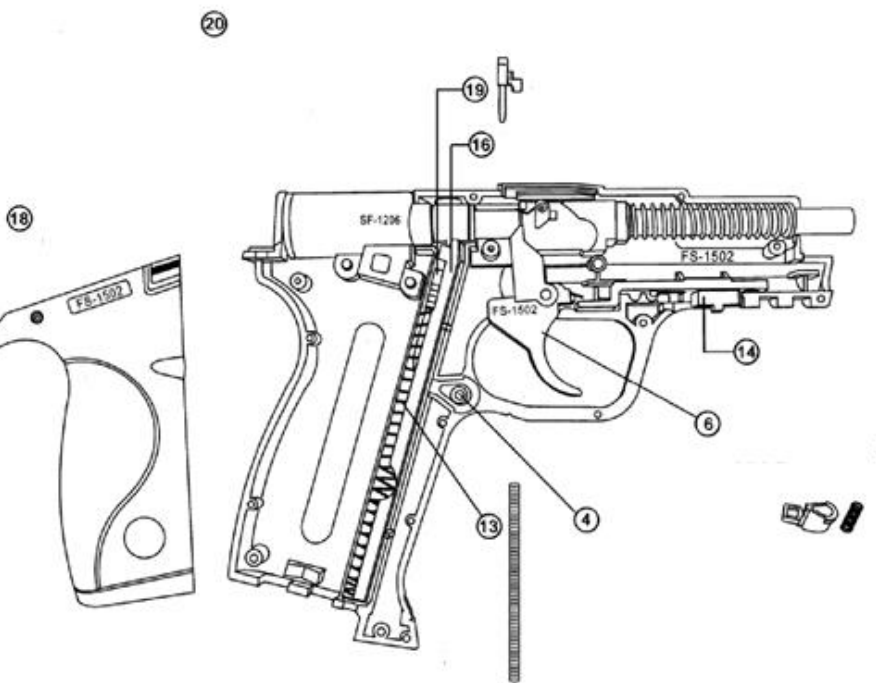


FS1502

C型扣環



EXPLODED VIEW



Parts

1.	Chamber
2.	Slide
3.	Pellet Holder
4.	Magazine Catch & Spring
5.	Barricade
6.	Trigger & Twist Spring
7.	Outlet Hammer
8.	Slid Axle
9.	C-Clip
10.	Barrel & C-Clip
11.	Slid Axle & Barrel
12.	Spring
13.	Magazine Spring
14.	Safety Switch Kit
15.	Screw
15-1.	Screw
15-2.	Screw
16.	Magazine
17.	Puncture Lever
18.	Grip
19.	Rammer
20.	Frame

