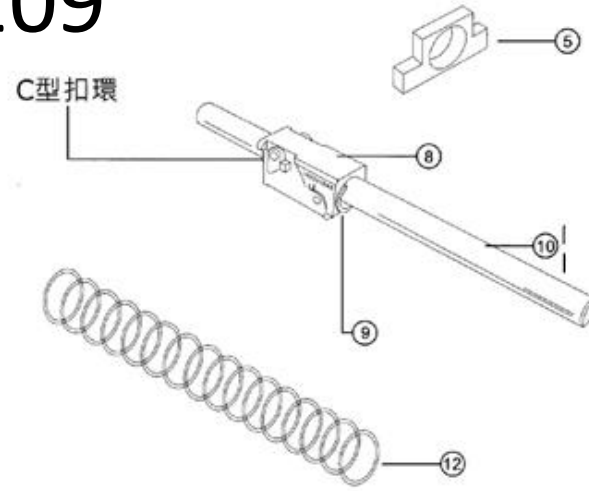
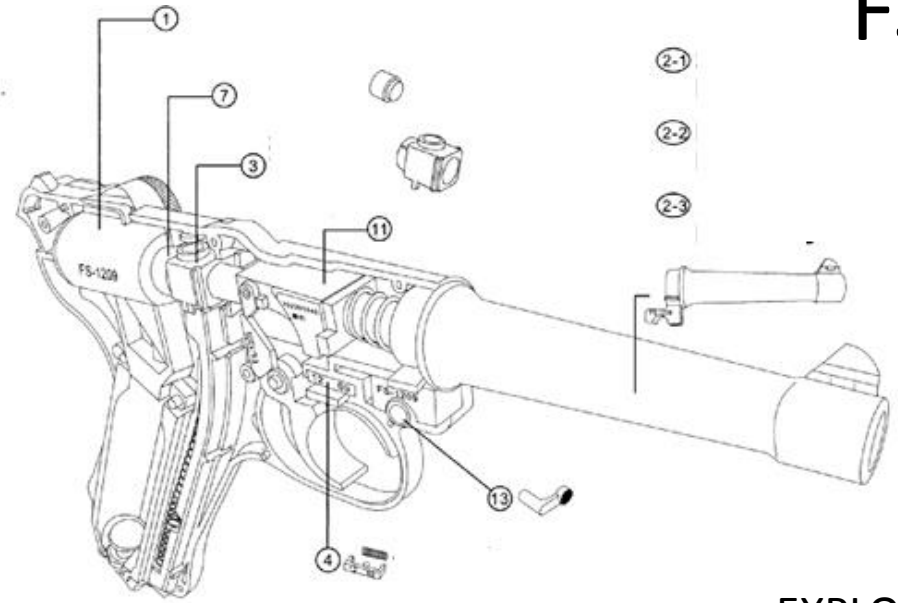
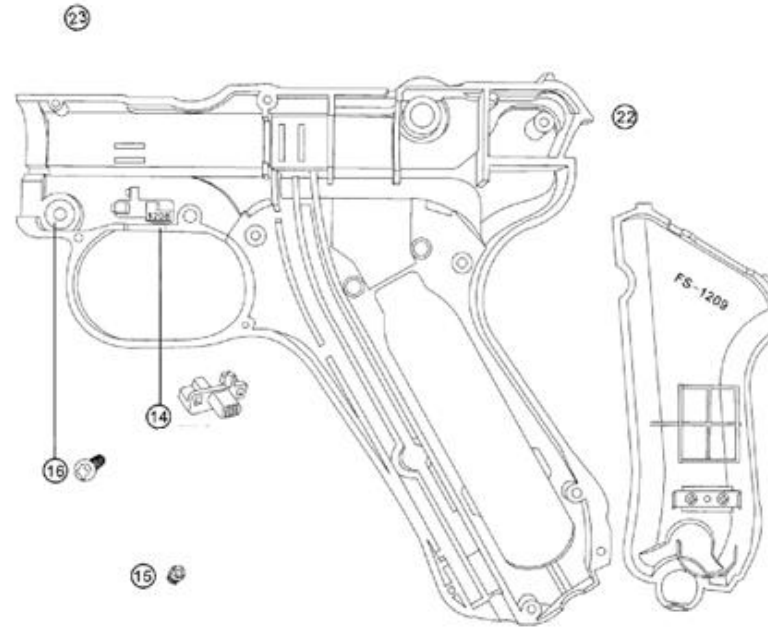
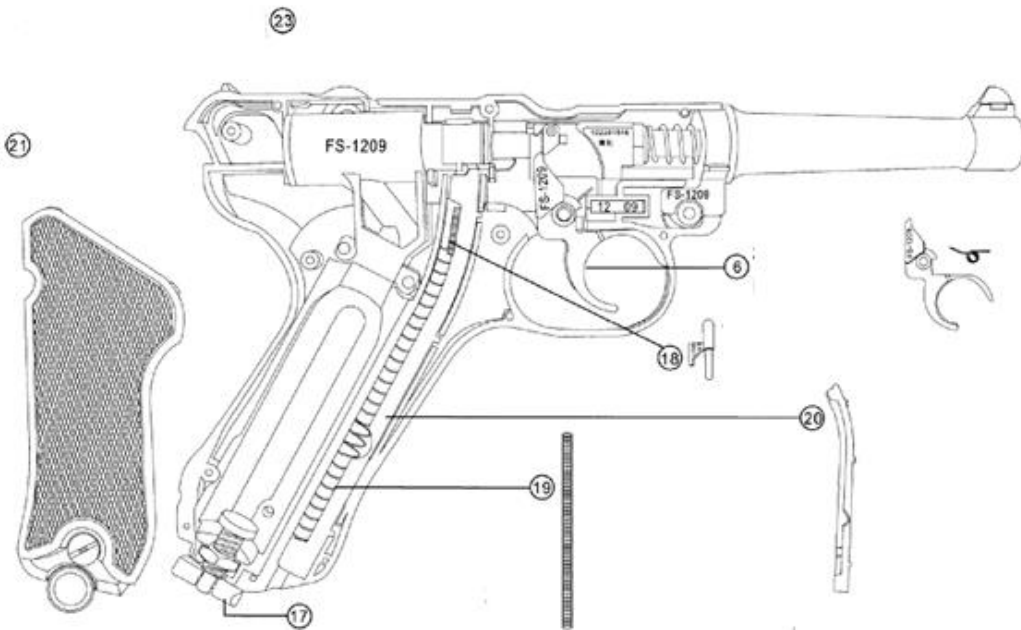


# FS1209



## EXPLODED VIEW



## Parts

1.	Chamber
2-1.	Barrel S
2-2.	Barrel M
2-3.	Barrel L
3.	Pellet Holder
4.	Safety Base
5.	Barricade
6.	Trigger & Twist Spring
7.	Outlet Hammer
8.	Slid Axle
9.	C-Clip
10.	Inner Barrel & C-Clip
11.	Slid Axle & Barrel
12.	Spring
13.	Barrel Locking Axis
14.	Safety Switch
15.	Locking Screw
16.	Barrel Screw
17.	Puncture Lever
18.	Bar
19.	Magazine Spring
20.	Magazine Housing
21.	Right Grip Piece
22.	Left Grip Piece
23.	Frame

