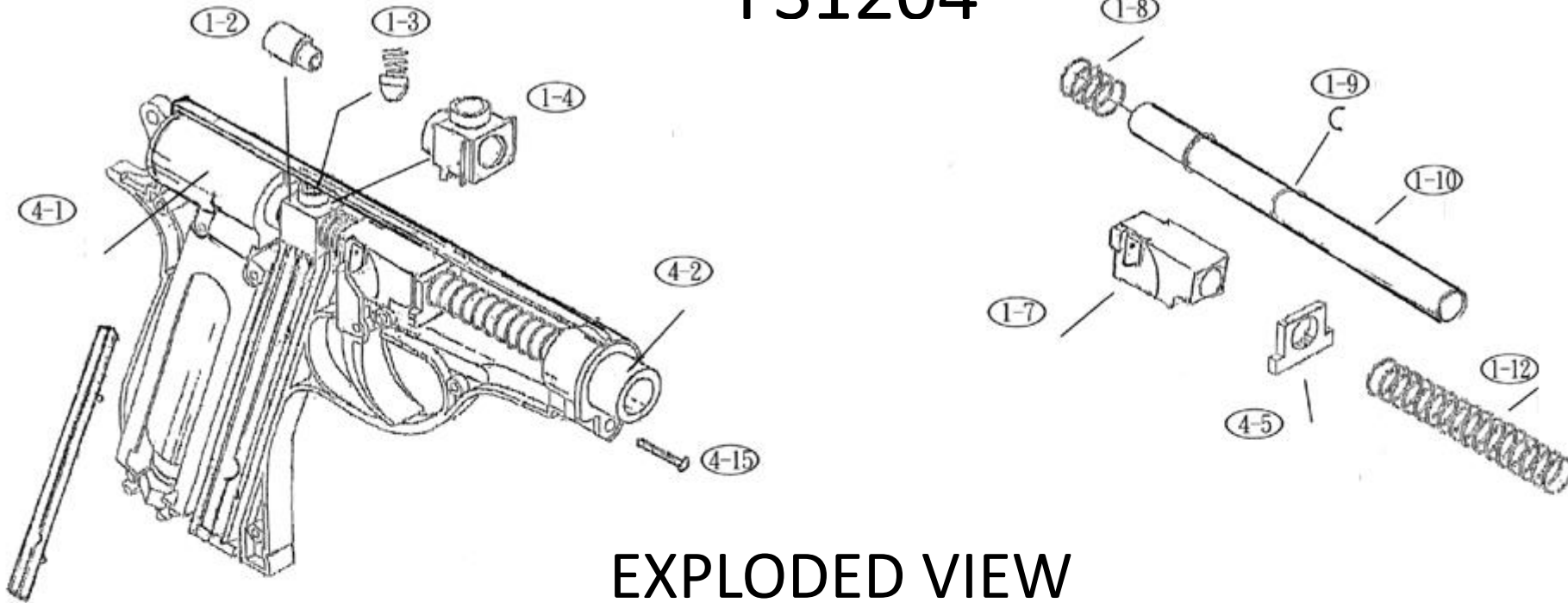
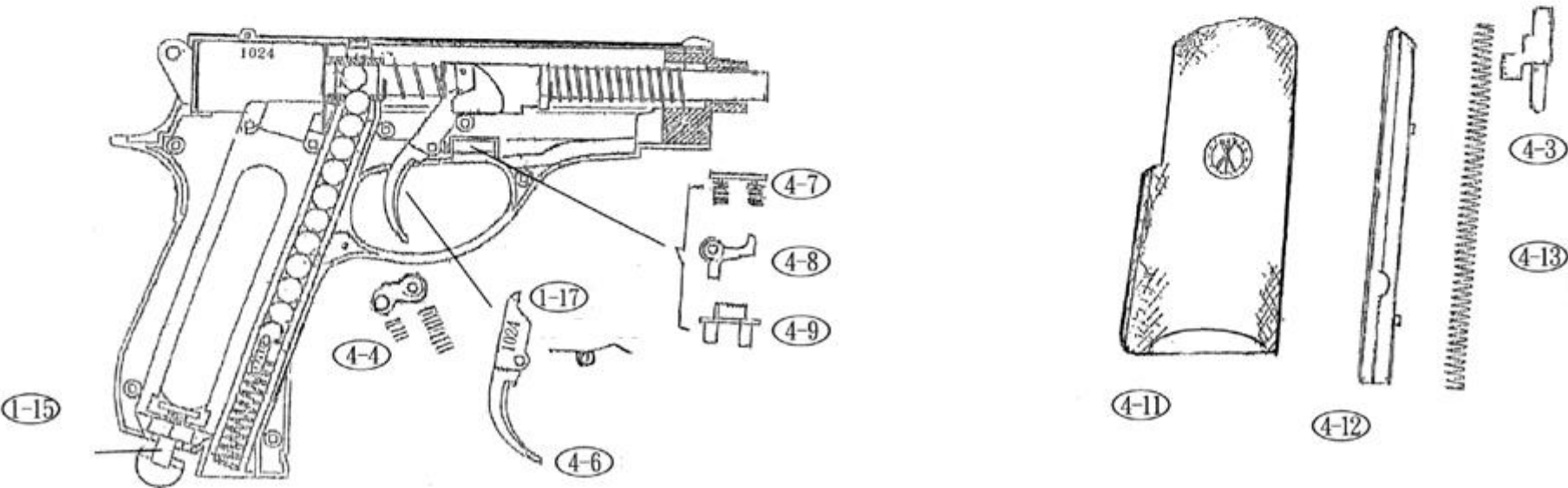


# FS1204



## EXPLODED VIEW



## Parts

1-2.	Outlet Hammer
1-3.	Rachiform Block & Spring
1-4.	Pellet Holder
1-7.	Slid Axle
1-8.	Back Spring
1-9.	C-Clip
1-10.	Barrel
1-12.	Front Spring
1-15.	Puncture Lever
1-17.	Spring
4-1.	Chamber
4-2.	Barrel Cap
4-3.	Bar
4-4.	Extractor Button & Spring
4-5.	Barricade
4-6.	Twist Spring
4-7.	Safety Base & Spring
4-8.	Safety
4-9.	Safety Switch
4-11.	Grip
4-12.	Magazine
4-13.	Spring
4-15.	Locking Screw

