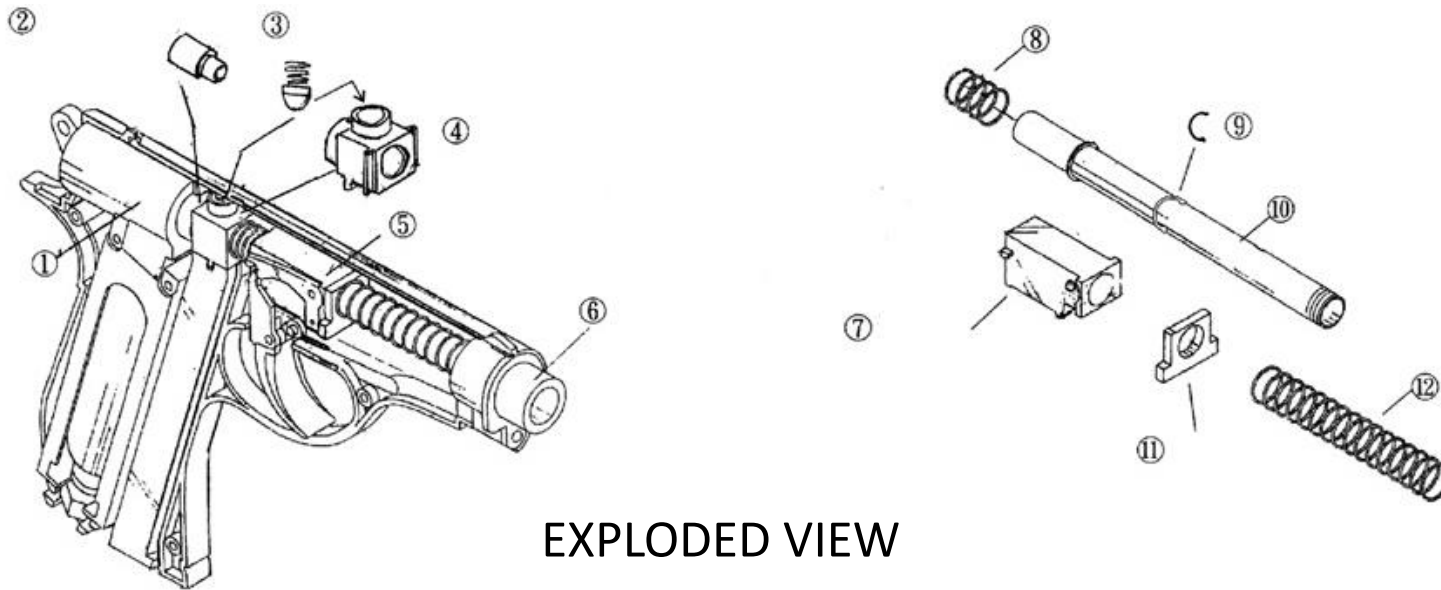
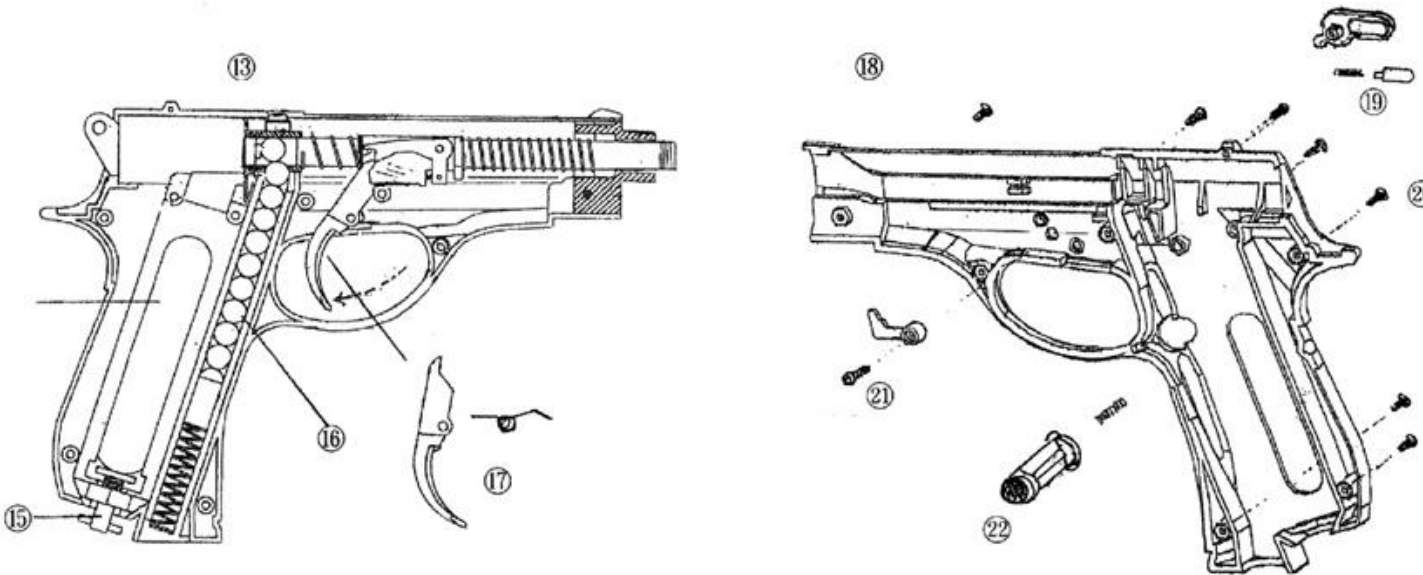


FS1001



EXPLODED VIEW



Parts

1.	Chamber
2.	Outlet hammer
3.	Barricade axis & spring
4.	Pellet holder
5.	Action kit & barrel
6.	Barrel cap
7.	slid axle
8.	Back spring
9.	c-clip
10.	Barrel & c-clip
11.	barricade
12.	Front spring
13.	Right frame
14.	Cylinder bottom
15.	Puncture lever
16.	Magazine
17.	Trigger & twist spring
18.	Left frame
19.	Safety switch kit
20.	Locking screw
21.	Inner safety catch & screw
22.	Magazine catch & spring

