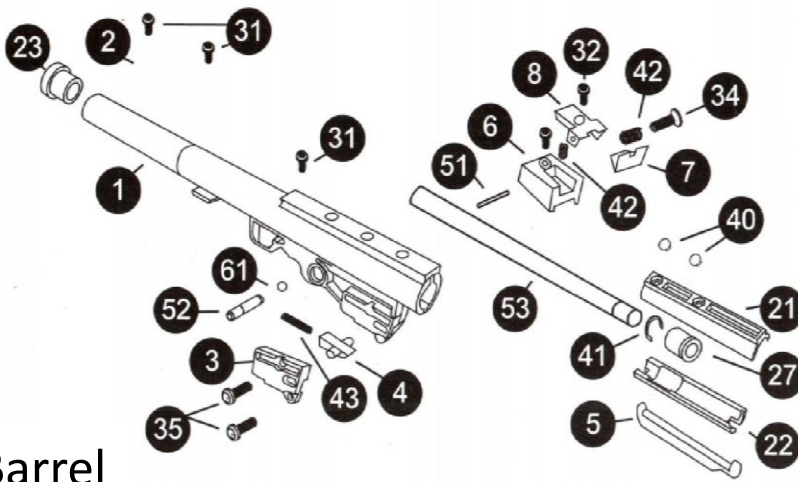


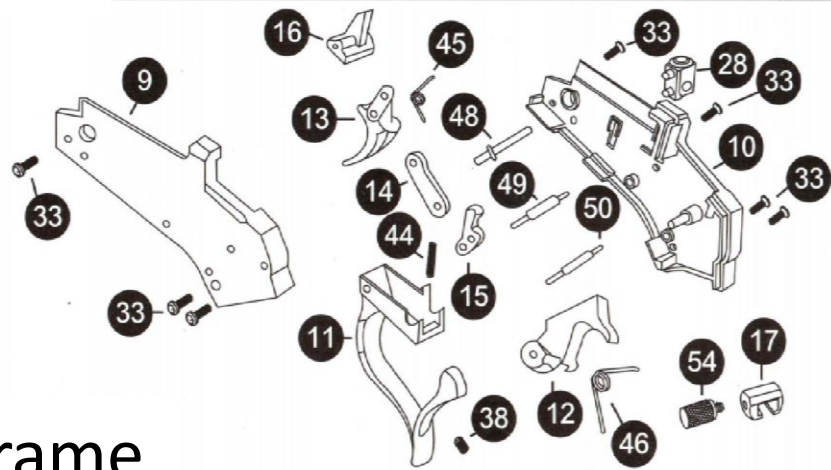
# FS0317

## Parts

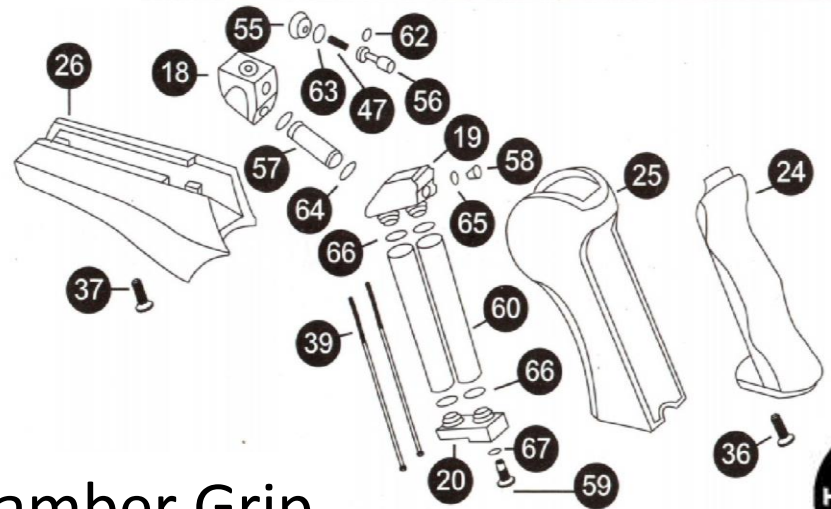
### EXPLODED VIEW



Barrel



Frame



Chamber Grip

1.	Barrel	25.	Grip	49.	Trigger Locking Axis
2.	Front Sight Housing	26.	Handguard	50.	Locking Axis Pin
3.	Barrel Base Cap	27.	Plastic Inner Barrel Cover	51.	Rear Sight Pin
4.	Barrel Catch Axis	28.	Plastic Chamber Cover	52.	Barrel Locking Axis
5.	Extractor	29.		53.	Inner Barrel
6.	Rear Sight Base	30.		54.	
7.	Rear Sight	31.	Flat Head Cap Screw	55.	Chamber Cap A
8.	Rear Sight Cover	32.	Round Head Bolts	56.	Outlet Piston
9.	Frame Cover	33.	Flat Head Cap Screw	57.	Gas Tube
10.	Frame Housing	34.	Round Head Bolt	58.	Chamber Cap B
11.	Trigger Guard	35.	Round Head Bolt	59.	Preventive Leak Inflator
12.	Hammer	36.	Round Head Bolt	60.	Chamber
13.	Trigger	37.	Round Head Bolt	61.	Rubber Ring
14.	Trigger Bar	38.	Hex Socket Head Cap Screws	62.	Rubber Ring
15.	Hammer Pin	39.	Round Head Bolt	63.	Rubber Ring
16.	Extractor Catch Housing	40.	Mag Screw	64.	Rubber Ring
17.		41.	C-Clip	65.	Rubber Ring
18.	Chamber Housing	42.	Rear Sight Screw	66.	Rubber Ring
19.	Cylinder Cap	43.	Catch Axis Spring	67.	
20.	Cylinder Base	44.	Guard Spring	68.	
21.	Magazine Cap	45.	Trigger Spring	69.	
22.	Magazine Base	46.	Hammer Spring	70.	
23.	Barrel Protect Cover	47.	Outlet Piston Spring	71.	
24.	Plastic Grip Cover	48.	Guard Locking Axis	72.	

